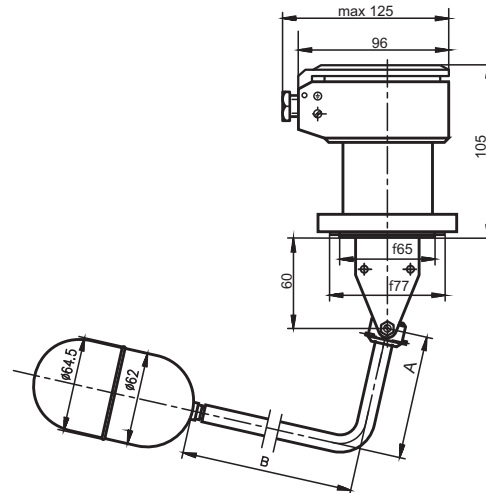
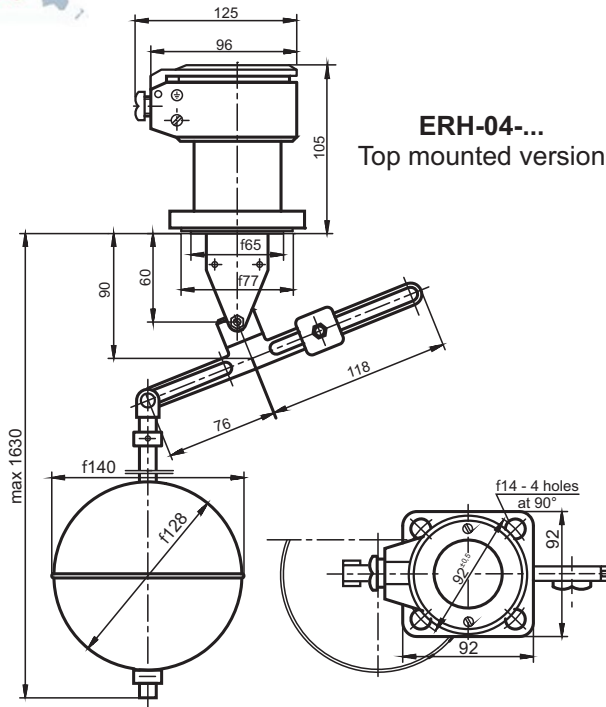


ERH-01-...-4-... / ERH-02-...-4-...
Top mounted version



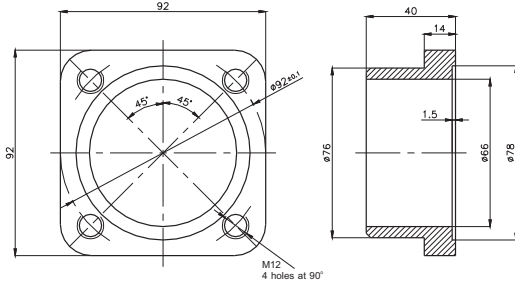
Technical data

Parameters		ERH-01-	ERH-02-	ERH-03-	ERH-04-
Hysteresis	ERH-xx-04, -06, -07	10, 20, 30 mm		50...250 mm	32...1350 mm
	ERH-xx-16, -16.1			100...400 mm	
Repeatability		±15%		±15%...±2% depending on the range	
Min. medium density		0,60 g/cm ³			
Max. process pressure	ERH-xx-04, -06, -16	600 psi			300 psi
	ERH-xx-07, -16.1	30 psi			
Max. medium temperature	ERH-xx-04, -06	482 ^o F			
	ERH-xx-16	212 ^o F			
	ERH-xx-07, -16.1	158 ^o F			
Ambient temperature		-13...+158 ^o F			
Ingress Protection	ERH-xx-04, -06, -16	IP66			
	ERH-xx-07, -16.1	IP68			
Weight	ERH-xx-yy	1,8 kg	2,0 kg	2,1 kg	3,0 kg
	ERH-xxK-yy	2,6 kg	2,8 kg	2,9 kg	3,8 kg
	1m of cable	0,2 kg			
Explosion-proof	ERH-xx-16, -16.1	Ex II 1/2G c Ex de IIBT4 Ga/Gb			
Application		Liquids without contaminations by solid suspensions			Liquids without contaminations and contaminated by solid suspensions
Electric parameters	ERH-xx-04, -06, -07	AC15* U ≤ 230V; (50...60)Hz; I ≤ 10A; durability of contacts ≥ 3x10 ⁵ DC13** U ≤ 220V; I < 0,6A; durability of contacts ≥ 0,3x10 ⁵ Minimum voltage and switching current 10V; 20mA Cross section of connecting cables: one-wire 1...2,5mm ² multi-wire 0,75...1,5mm ²			
	ERH-xx-16, -16.1	AC15* U ≤ 230V (50...60)Hz; I ≤ 2,5A; durability of contacts ≥ 0,85x10 ⁵ DC13** U ≤ 220V; I < 0,3A; durability of contacts ≥ 0,3x10 ⁵ Minimum voltage and switching current 10V; 20mA Cross section of connecting cables: one-wire 1mm ² multi-wire 1mm ²			

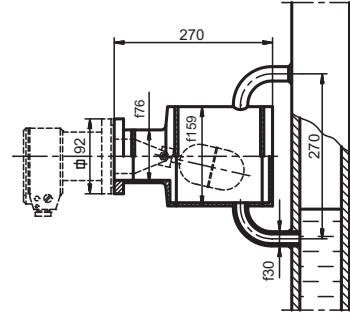
Category of usage: * acc. to PN-EN 60947-5-1, Electromagnet control (>72VA); ** acc. to PN-EN 60947-5-1, Electromagnet control

Accessories

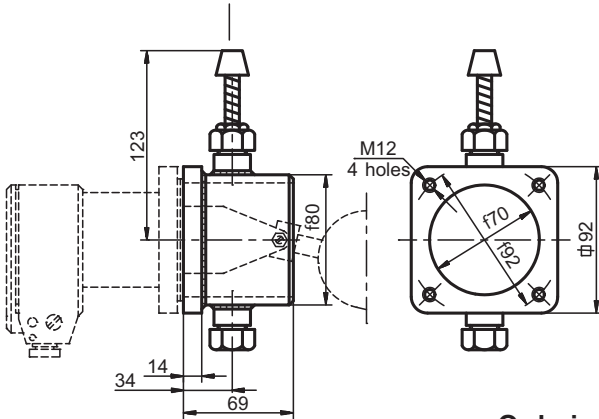
Counterflange type ER2-1646



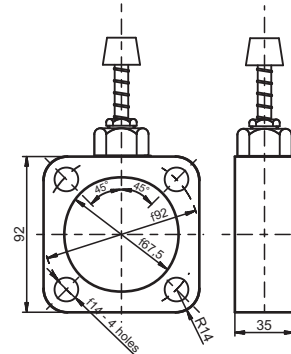
Assembly chamber ER3-1631



Tester ER3-1495



Tester ER3-1560



Ordering procedure

Model	Code	Description	
ERH		Level switch	
Constructional version	-01	Standard version	
	-02	Version for contaminated liquids with protection sleeve	
	-03	Version with adjustable hysteresis	
	-04	Top mounting version	
Version/certificate	-04	IP66, standard version	
	-04K	IP66, standard version, SS version	
	-06	IP66, marine approval, hygienic approval	
	-06K	IP66, marine approval, hygienic approval, SS version	
	-07	Submersible version IP68	
	-07K	Submersible version IP68, SS version	
	-16	IP66, explosion proof version	
	-16K	IP66, explosion proof version, SS version	
	-16.1	Submersible version IP68, explosion proof version	
	-16.1K	Submersible version IP68, explosion proof version, SS version	
Floating arm length/hysteresis	Options for ERH-01 and ERH-02 only	-1	Hysteresis h=10mm
		-2	Hysteresis h=20mm
		-3	Hysteresis h=30mm
		-4-0	Floating arm length A=125mm, B=125mm
		-4-1	Floating arm length A=185mm, B=80mm
		-4-2	Floating arm length A=250mm, B=125mm
		-4-3	Floating arm length A=140mm, B=120mm
		-4-4	Floating arm length A=100mm, B=120mm
		-4-5	Floating arm length A=120mm, B=80mm
		-4-6	Floating arm length A=150mm, B=80mm
	-4-Y	Floating arm length on request (please specify A and B)	
	Options for ERH-03 only	-1	Adjustable hysteresis min 100mm, max 400mm
		-2	Adjustable hysteresis min 50mm, max 250mm
			for ERH-03-16 and ERH-03-16.1 hysteresis min 50mm, max 400mm
Cable	-1	Without cable	
	-2	With cable L= ...m (standard 3m, other length on request,)	
Accessories	/ER3-1560-1	Testing equipment (material: St3S)	
	/ER3-1560-2	Testing equipment (material: 316Lss)	
	/ER3-1495	Testing equipment to weld in a tank	
	/ER2-1646-1	Counter flange (material: St3S)	
	/ER2-1646-2	Counter flange (material: 316Lss)	
	/ER3-1631	Assembly chamber	
	/DN80	Process connection flange DN80	
/ANSI 3"	Process connection flange ANSI 3" 150LB		